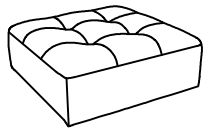


DO-7057

Ax1



Seat

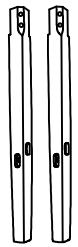
Fx8



M8x65MM

Screw

Bx2



Legs

Gx8



Flat washer

Cx2



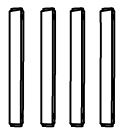
Legs

Hx8



Spring washer

Dx4



Rail

Ix1



M6

Allen key

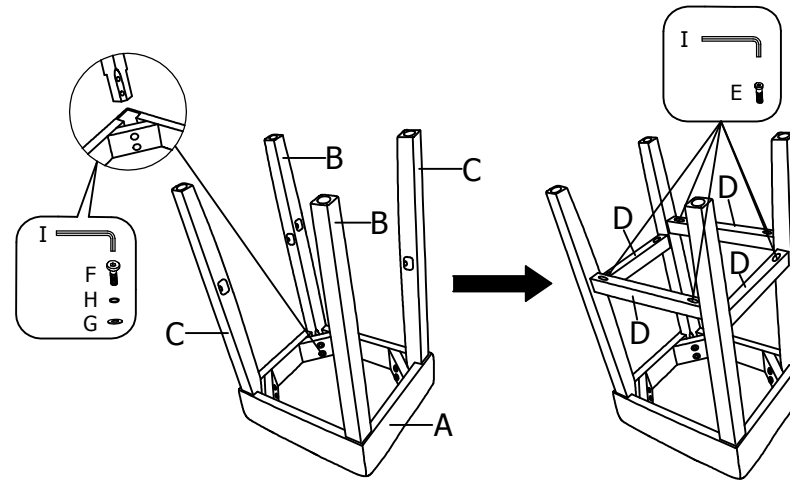
Ex8



M6x40MM

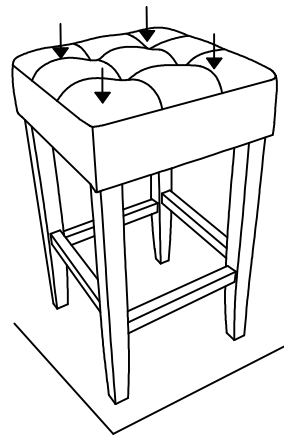
Screw

①



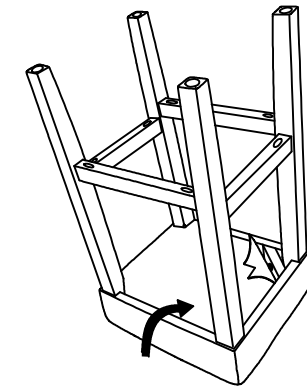
Put the screws in the holes, tighten the screws, but not too tight, 90% is ok.

②



Then adjust balance of this chair, tighten all the screws to 100%.

③



In the end ,stick the non-woven cloth underneath the seat.

WARNING:

DO NOT STAND ON THE CHAIR, DO NOT USE THIS CHAIR AS A STEP LADDER.

USE THIS PRODUCT ONLY FOR SEATING ONE PERSON AT A TIME.

DO NOT USE THIS CHAIR UNLESS ALL BOLTS, SCREWS AND KNOBS ARE FIRMLY SECURED.

AT LEAST EVERY 4 MONTHS, CHECK ALL BOLTS, SCREWS AND KNOBS TO BE SURE THEY ARE TIGHT.

IF PARTS ARE MISSING, BROKE, DAMAGED OR WORN, STOP USING THIS PRODUCT UNTIL YOU HAVE REPAIRED IT FULLY.

FAILURE TO FOLLOW THESE WARNINGS COULD RESULT IN SERIOUS INJURY.

PLEASE DO NOT USE KNIFE TO OPEN ANY PARTS OF THE BOX OR CHAIR.

CLEANING OF PU/LEATHER COVER - WIPE CLEAN WITH A SOFT CLOTH MOISTENED WITH WATER AND NEUTRAL DETERGENT.

DO NOT USE BLEACH,CHEMICAL OR BIOLOGICAL CLEANERS.