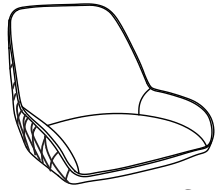


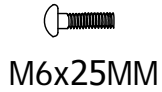
DO-5120

Ax1



Seat

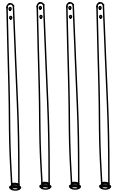
Fx4



M6x25MM

Screw

Bx4



Legs

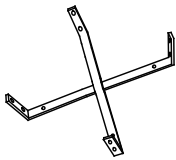
Gx4



M6x30MM

Screw

Cx1



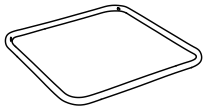
Connecting iron

Hx4



Plain cushion

Dx1



Footrest

Ix1



M6

Allen key

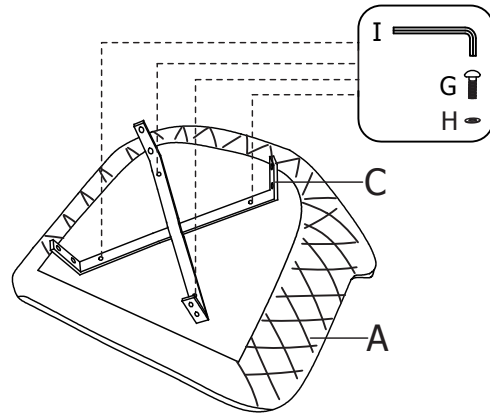
Ex8



M6x20MM

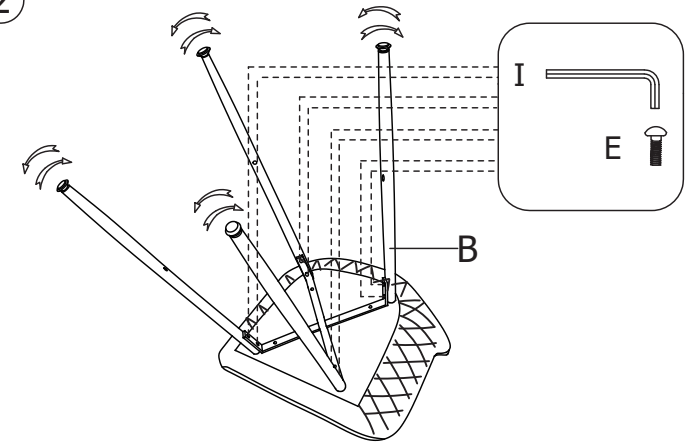
Screw

①



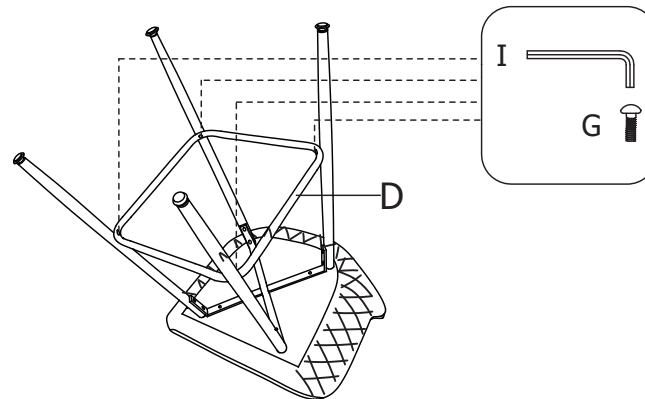
Put the screws in the holes, tighten the screws, but not too tight, 90% is ok.

②



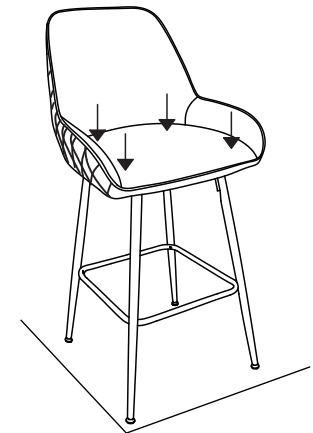
Put the screws in the holes, tighten the screws, but not too tight, 90% is ok.

③



Put the screws in the holes, tighten the screws, but not too tight, 90% is ok.

④



Then adjust balance of this chair, tighten all the screws to 100%.

WARNING:

DO NOT STAND ON THE CHAIR, DO NOT USE THIS CHAIR AS A STEP LADDER.

USE THIS PRODUCT ONLY FOR SEATING ONE PERSON AT A TIME.

DO NOT USE THIS CHAIR UNLESS ALL BOLTS, SCREWS AND KNOBS ARE FIRMLY SECURED.

AT LEAST EVERY 4 MONTHS, CHECK ALL BOLTS, SCREWS AND KNOBS TO BE SURE THEY ARE TIGHT.

IF PARTS ARE MISSING, BROKE, DAMAGED OR WORN, STOP USING THIS PRODUCT UNTIL YOU HAVE REPAIRED IT FULLY. FAILURE TO FOLLOW THESE WARNINGS COULD RESULT IN SERIOUS INJURY.

PLEASE DO NOT USE KNIFE TO OPEN ANY PARTS OF THE BOX OR CHAIR.

CLEANING OF PU/LEATHER COVER - WIPE CLEAN WITH A SOFT CLOTH MOISTENED WITH WATER AND NEUTRAL DETERGENT.

DO NOT USE BLEACH, CHEMICAL OR BIOLOGICAL CLEANERS.